
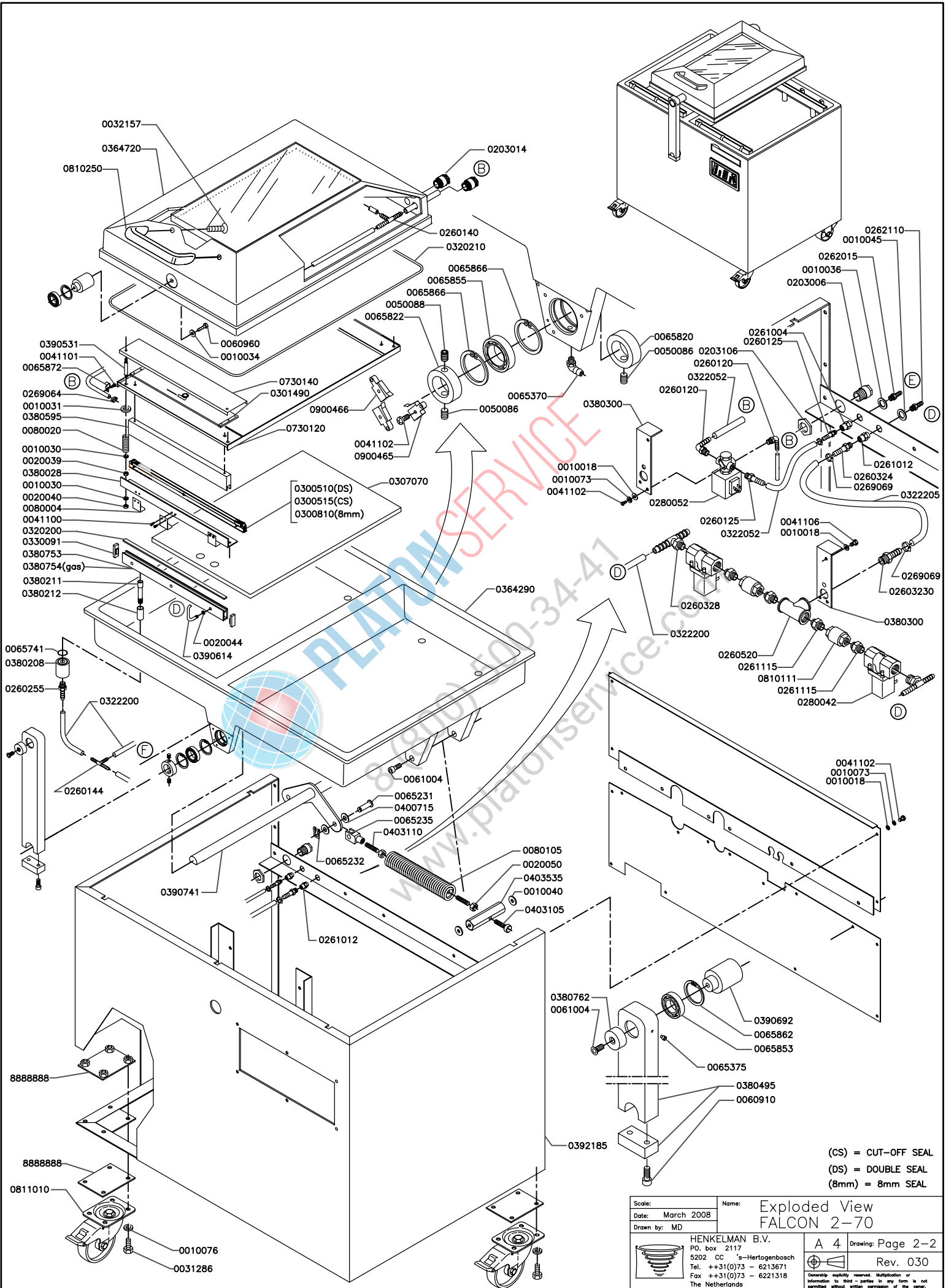


PLATON SERVICE

www.platon-service.nl (800) 550-333

Scale:	Name:	Exploded View FALCON 2-70	
Date: Jan 2009			
Drawn by: MD			
	HENKELMAN B.V. P.O. box 2117 5202 GC 's-Hertogenbosch Tel. ++31(0)73 - 6213671 Fax ++31(0)73 - 6221318 The Netherlands		A 4 Drawing: Page 1-2 Rev. 040
	<small>Ownership explicitly reserved. Multiplication or information to third parties in any form is not permitted without written permission of the owner.</small>		



(CS) = CUT-OFF SEAL  
 (DS) = DOUBLE SEAL  
 (8mm) = 8mm SEAL

Scale:	Name:	Exploded View FALCON 2-70	
Date: March 2008			
Drawn by: MD			
HENKELMAN B.V. P.O. box 2117 5202 CC 's-Hertogenbosch Tel. ++31(0)73 - 6213671 Fax ++31(0)73 - 6221318 The Netherlands		A 4	Drawing: Page 2-2 Rev. 030